



HOW 2 DIAGRAM

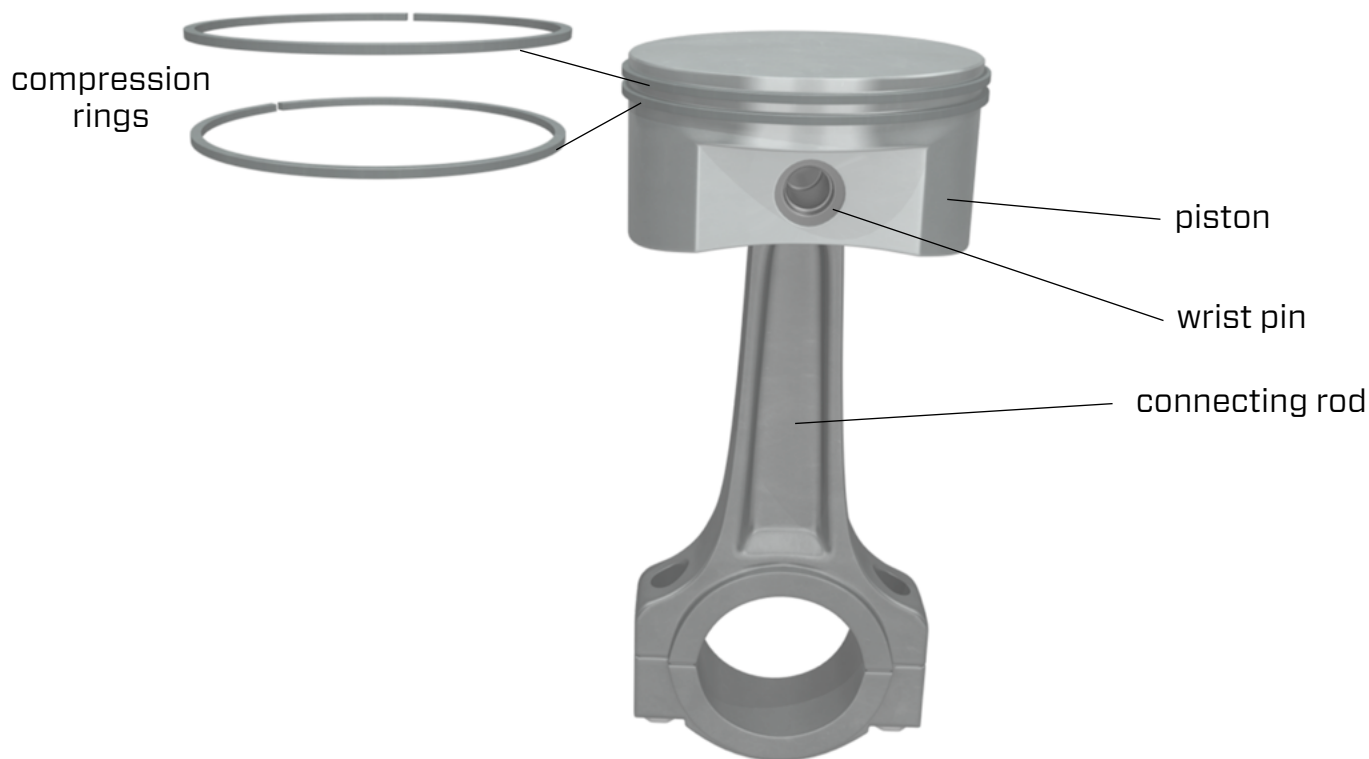


Engine type: All 2-stroke gasoline engines

Product(s) for application: Sea Foam Motor Treatment, Sea Foam Spray

Part number(s): SF16, SS14

BASIC 2-STROKE PISTON AND RINGS



BEFORE A RESTRICTED COMPRESSION RING PROBLEM: Adding Sea Foam Motor Treatment works to clean fuel passageways, lubricate upper cylinders, and dissolve petroleum residues that can bind and restrict the free movement of piston compression rings. Restricted rings will cause chamber compression loss, cylinder wear and friction heat that can ultimately ruin cylinders and pistons.



Treatments and recommendations for maintaining chambers, pistons and compression rings:

- Use Sea Foam in fuel to clean fuel system passageways and chamber areas, lubricate upper cylinders, and help clean residues that can restrict compression rings
- When storing 2-stroke engines, use Sea Foam Spray to fog intakes and lubricate cylinder cavities