

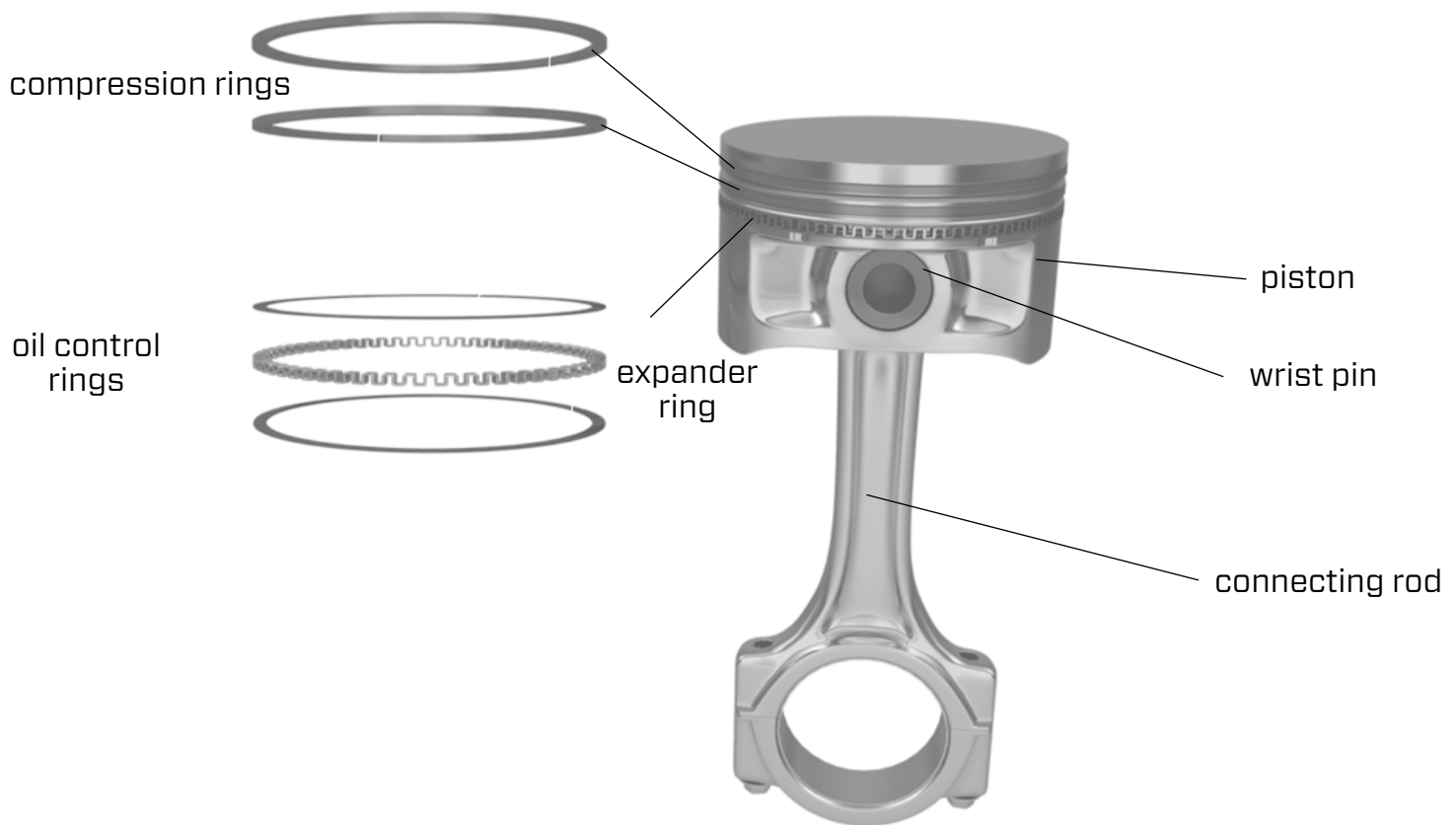
**Engine type:** All 4-stroke gasoline and diesel engines

**Product(s) for application:** Sea Foam Motor Treatment, Sea Foam Spray

**Part number(s):** SF16, SS14



## BASIC 4-STROKE PISTON AND RINGS



**BEFORE A RESTRICTED OIL PASSAGEWAY OR PISTON RING PROBLEM:** Adding Sea Foam Motor Treatment to crankcase oil works to safely dissolve petroleum residues that restrict oil passageways. When added to fuel tanks, Sea Foam works to clean fuel passageways, lubricate upper cylinders, and dissolve petroleum residues that can bind and restrict the free movement of piston compression rings.



### Treatments and recommendations for maintaining chamber areas, pistons and rings

- Use Sea Foam in crankcase oil to help dissolve petroleum residues and deposits that restrict oil flow and lubrication - works to clean oil control rings, sticky lifters, VVT solenoids and actuators
- Use Sea Foam in fuel to lubricate upper cylinders and help to clean residues that can restrict compression rings
- When storing engines, use Sea Foam Spray to fog intakes and lubricate cylinder cavities - DO NOT use Sea Foam<sup>®</sup> Spray through diesel air induction systems