



HOW 2 DIAGRAM



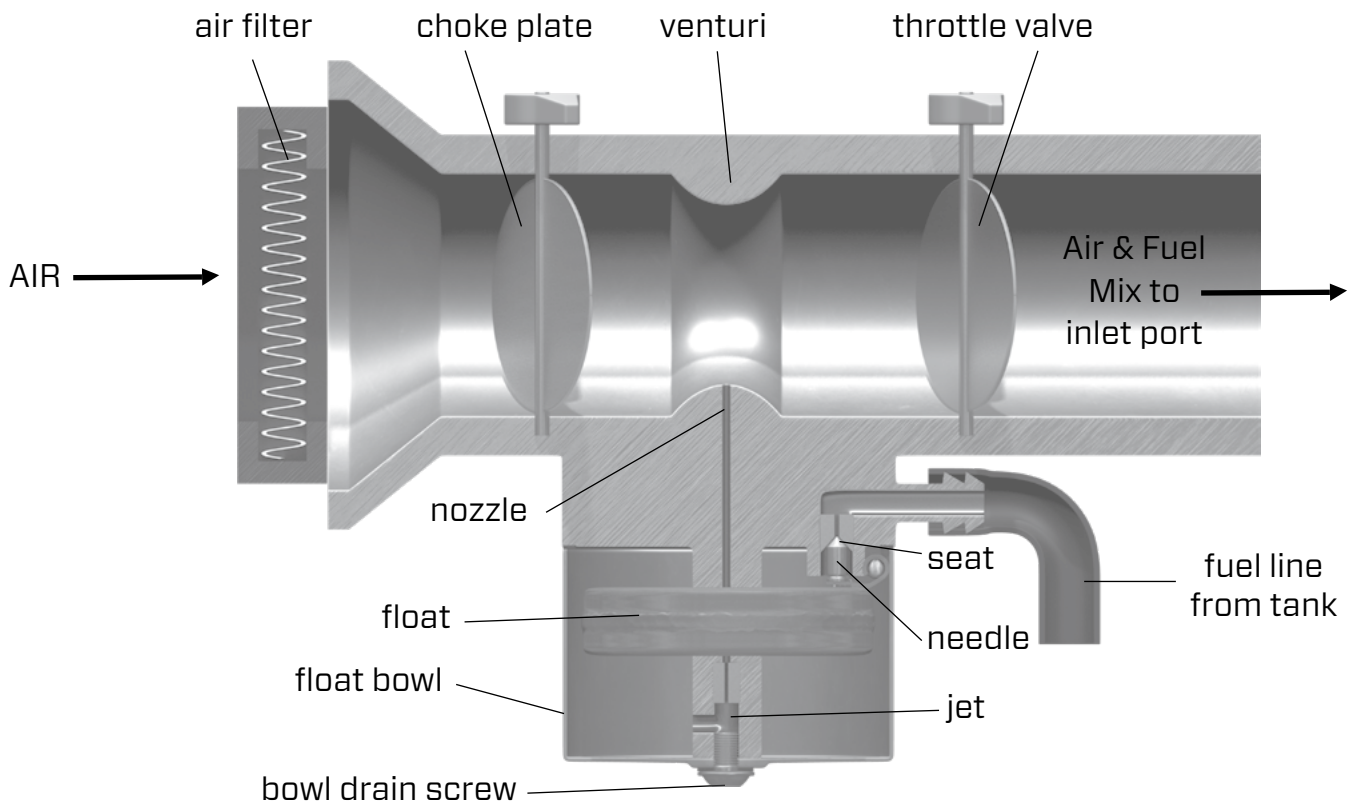
Engine type: Gasoline 2- and 4-stroke w/ carburetor intake

Examples: most 2- and 4-stroke carburetor small engines

Product(s) for application: Sea Foam Motor Treatment, Sea Foam Spray

Part number(s): SF16, SS14

BASIC 2- or 4-STROKE CARBURETOR



BEFORE A GUMMED-UP CARBURETOR PROBLEM: Adding Sea Foam Motor Treatment to fuel tanks works through the entire fuel system to clean and lubricate carburetor passageways, upper cylinder and chamber areas. Sea Foam Spray works to deliver a high concentration of petroleum cleaning solvency through the carburetor throat to clean and lubricate intake and chamber areas.



Treatments and recommendations for maintaining Gasoline 2- and 4-stroke carburetor fuel systems:

- Use Sea Foam Motor Treatment in fuel to dissolve gum and varnish from carburetors, clear needle valves, bowls, jets, and nozzles
- For stabilizing fuel and maintaining a clean carburetor intake system, add Sea Foam to every tank of fuel
- When storing carburetor engines, use Sea Foam Spray to fog intakes and lubricate cylinder cavities

